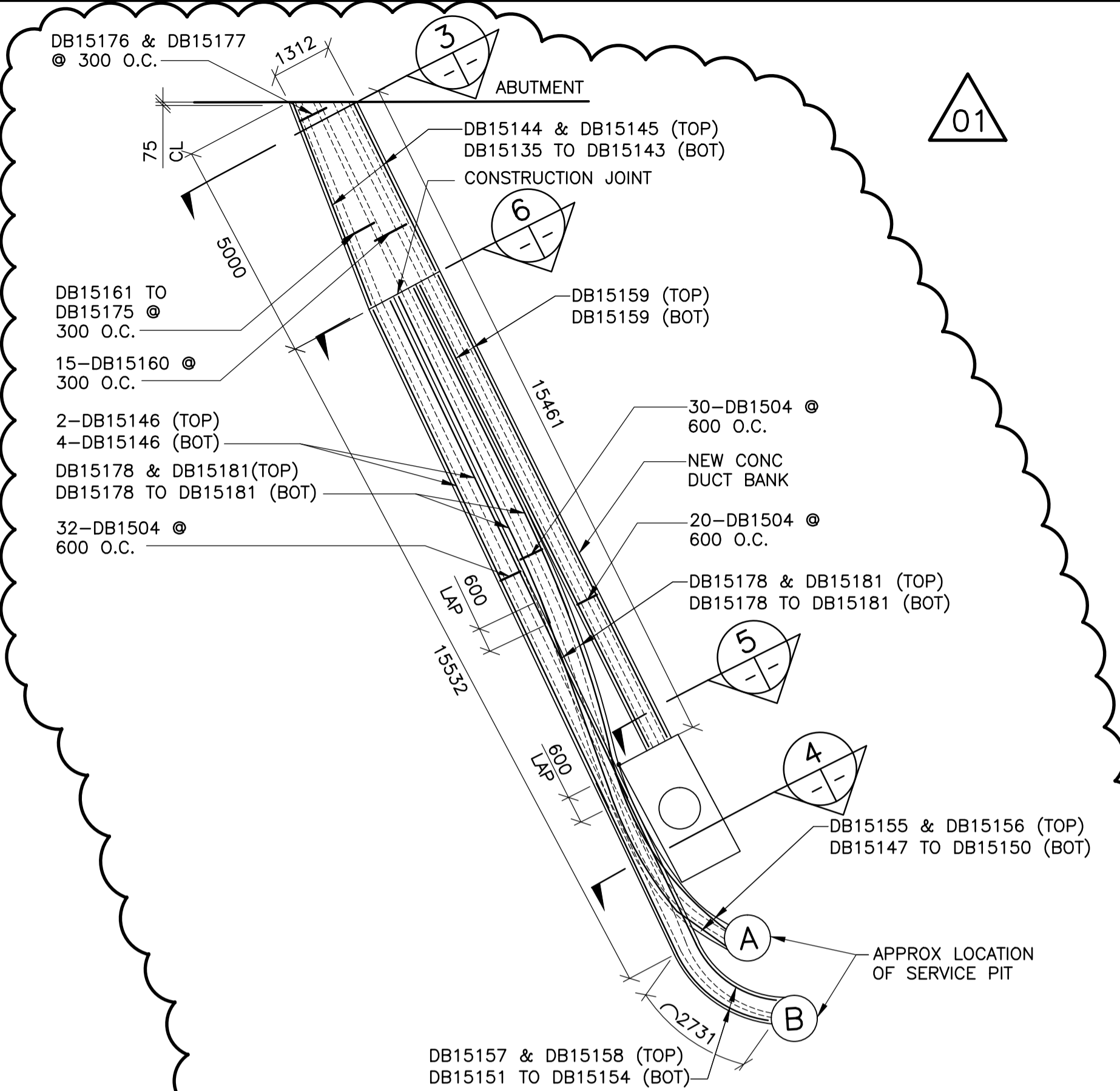
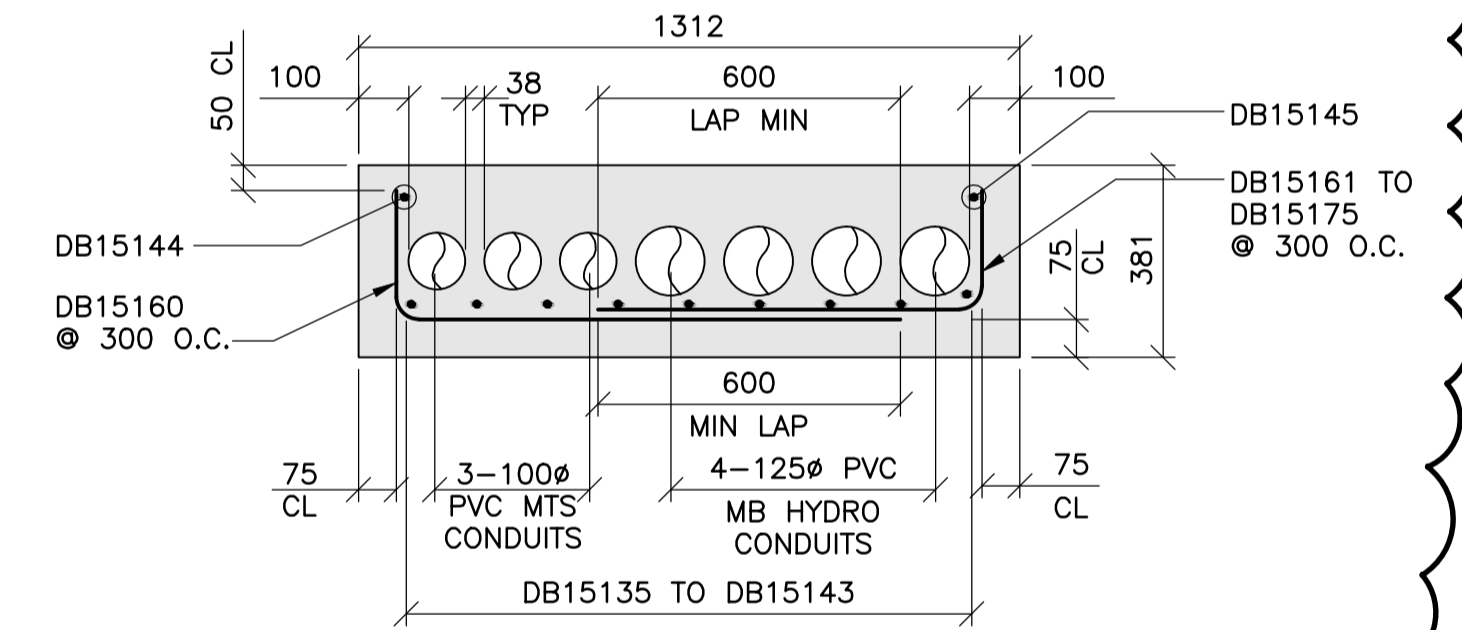


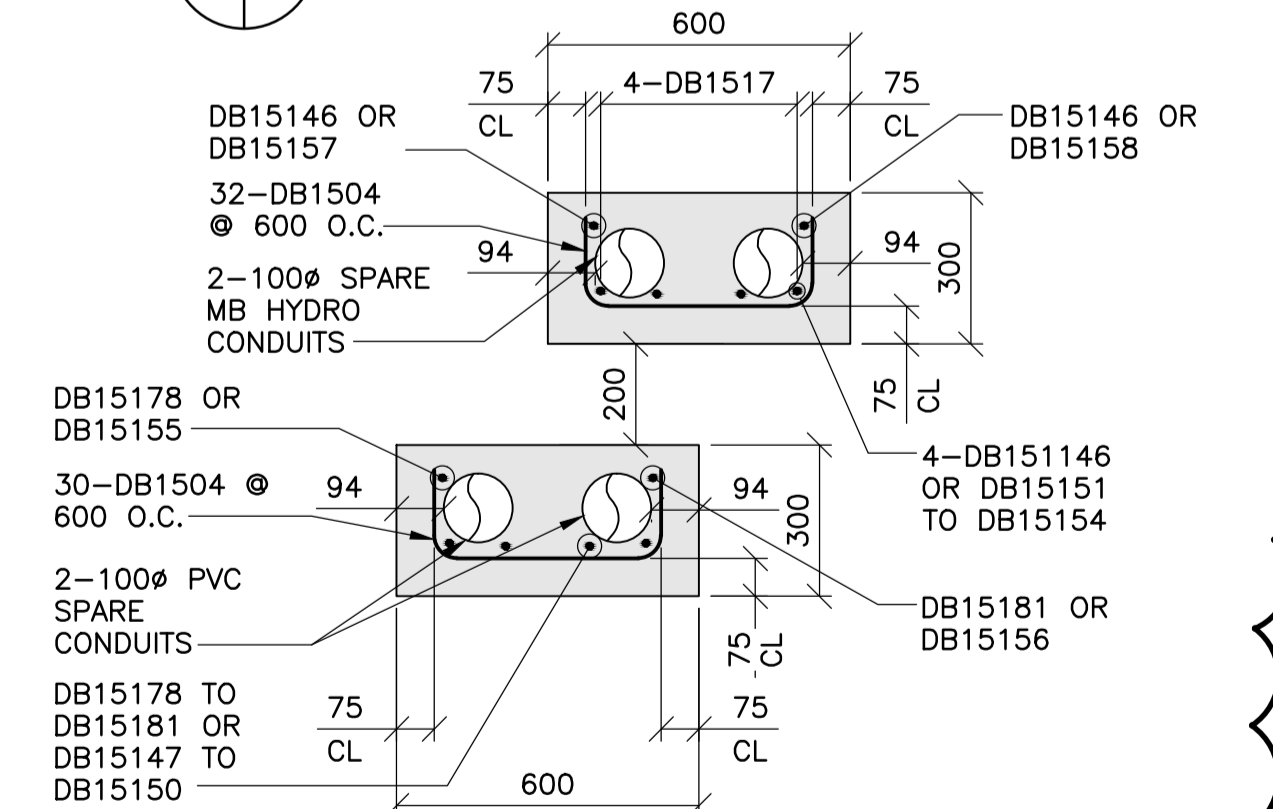
1 PLAN - SOUTH ABUTMENT PHASE 2 REINFORCING
1 : 50
- SHOWING TOP & BOT MAT REINFORCING



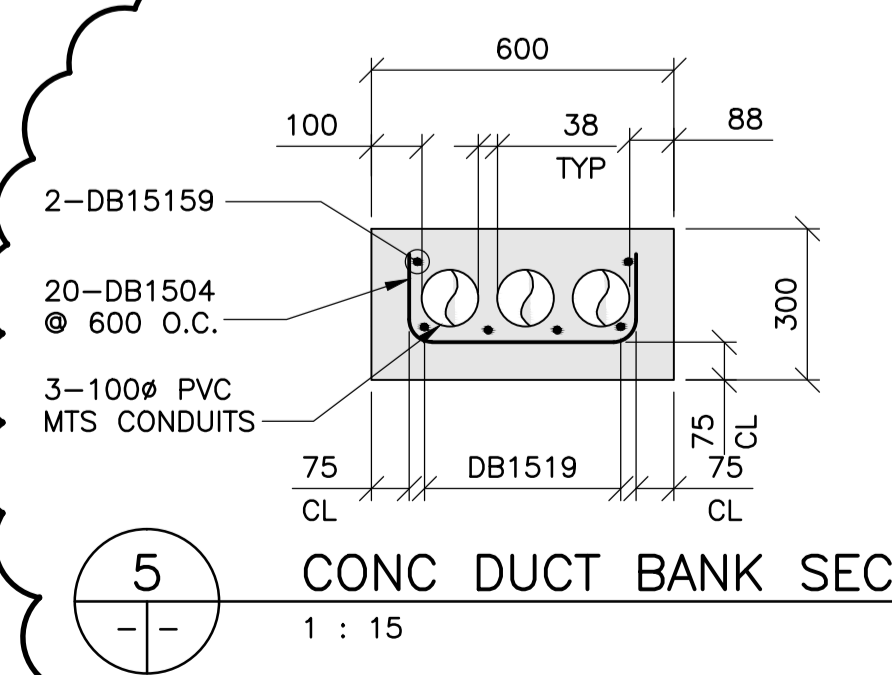
2 DUCT BANK PLAN
1 : 100



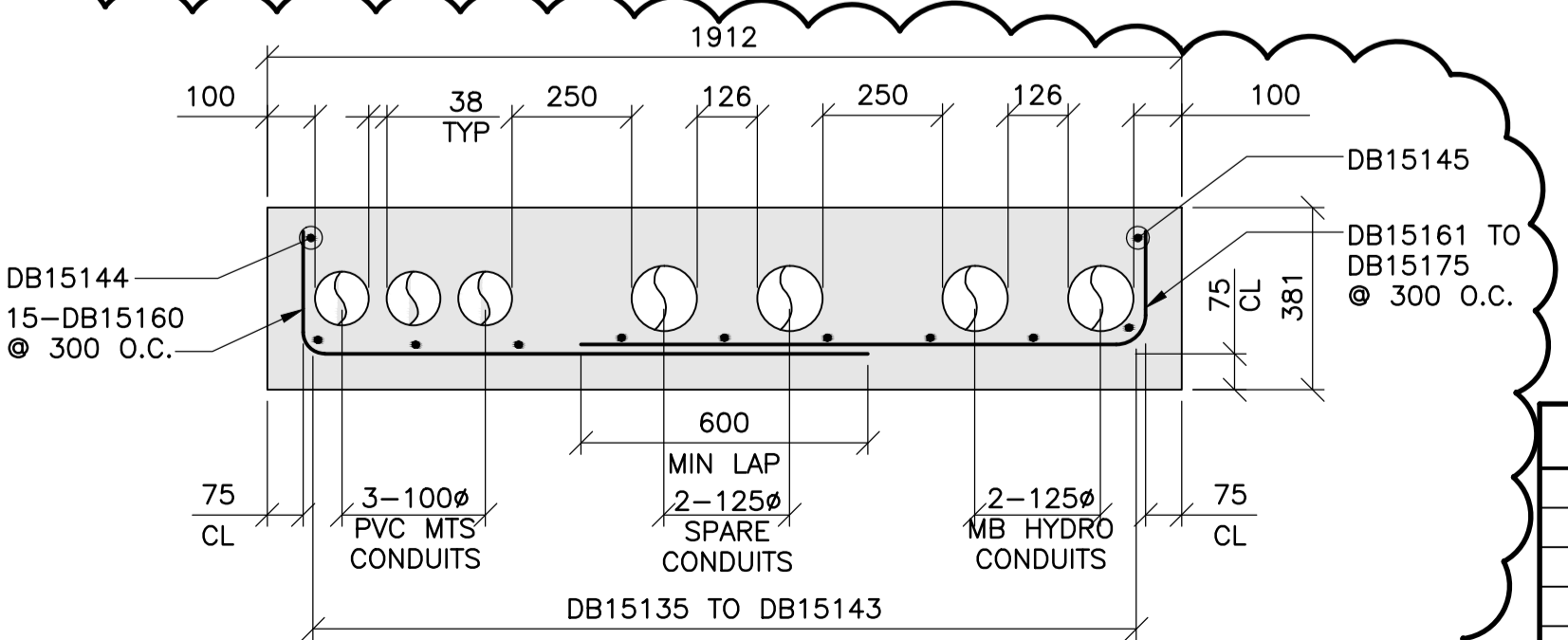
3 CONC DUCT BANK SECTION
1 : 15



4 CONC DUCT BANK SECTION
1 : 15



5 CONC DUCT BANK SECTION
1 : 15

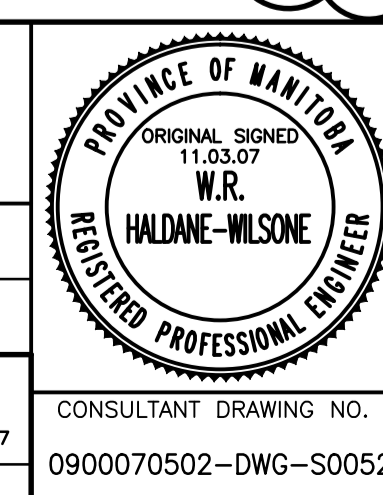


6 CONC DUCT BANK SECTION
1 : 15



B.M. ELEV.	F.B.	DATE	BY
		11.03.14	RHW
		11.03.07	RHW

WARDROP ATETRA TECH COMPANY	
DESIGNED BY S.Y.	CHECKED BY R.H.W.
DRAWN BY B.M.	APPROVED BY R.H.W.
HOR. SCALE: AS NOTED	
VERTICAL: AS NOTED	
NO. REVISIONS	DATE



THE CITY OF WINNIPEG PUBLIC WORKS DEPARTMENT ENGINEERING DIVISION	
OSBORNE STREET BRIDGE REHABILITATION & RELATED WORKS	
SOUTH ABUTMENT AND APPROACH SLAB PHASE 2 REINFORCING	
CONSULTANT DRAWING NO. 0900070502-DWG-S0052	
CITY DRAWING NUMBER B109-11-057 SHEET OF 131	
52	